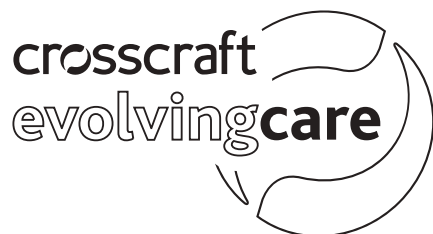


YOUR JOURNEY STARTS HERE

WITH YOUR APPLIANCE SPECIALISTS

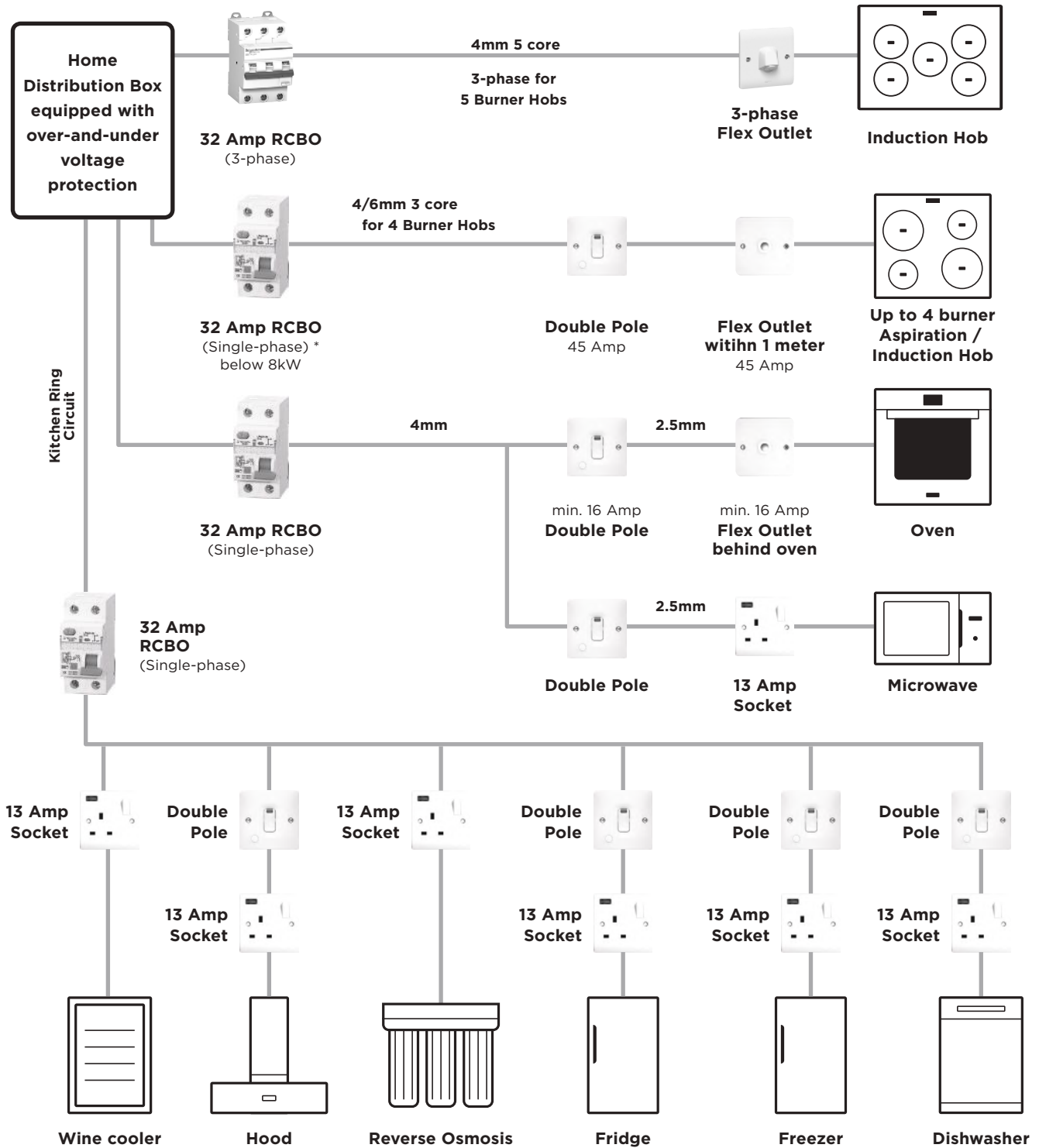
WE THANK YOU
FOR CHOOSING US
TO POWER

*Your
Kitchen*





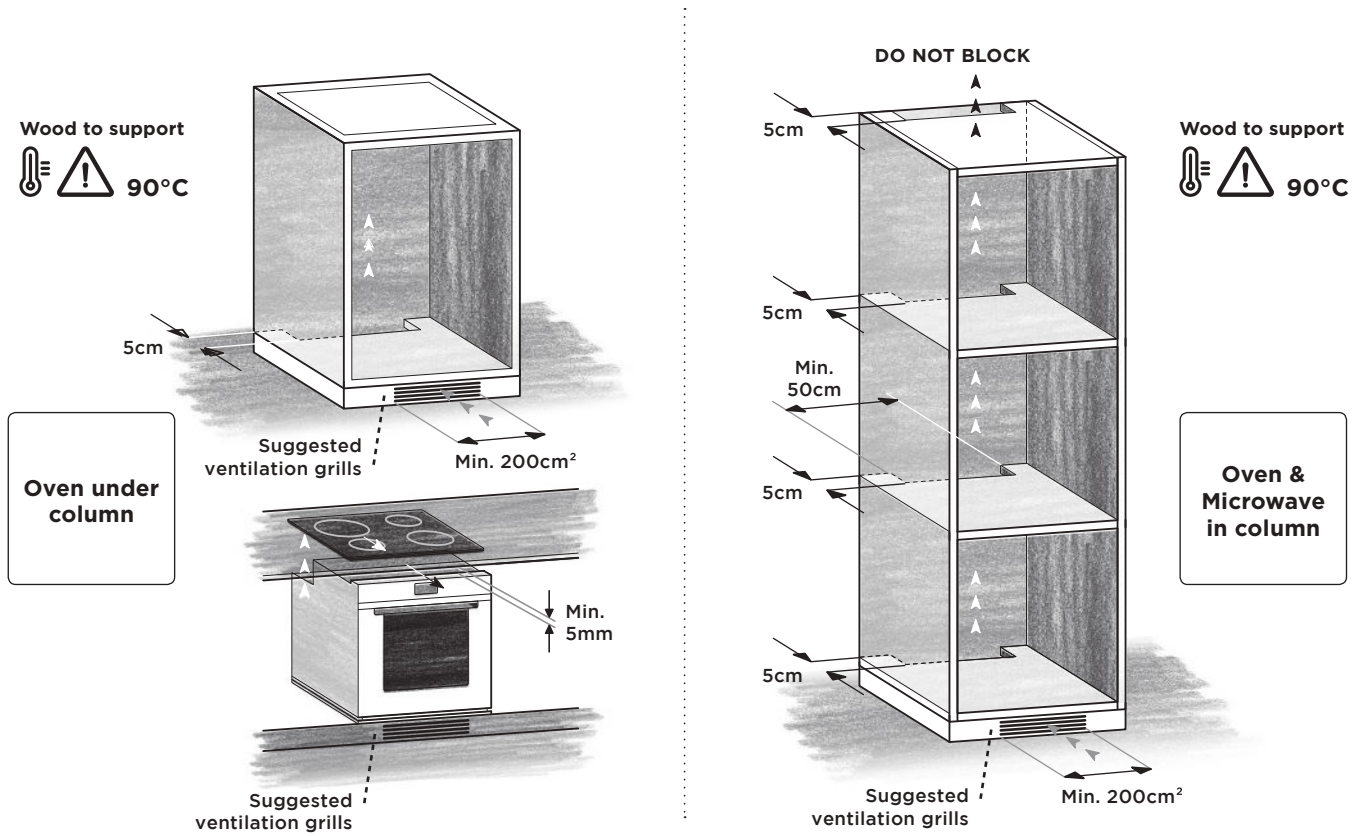
POWERING UP YOUR APPLIANCES



Discuss with the electrical installer if 3-phase.

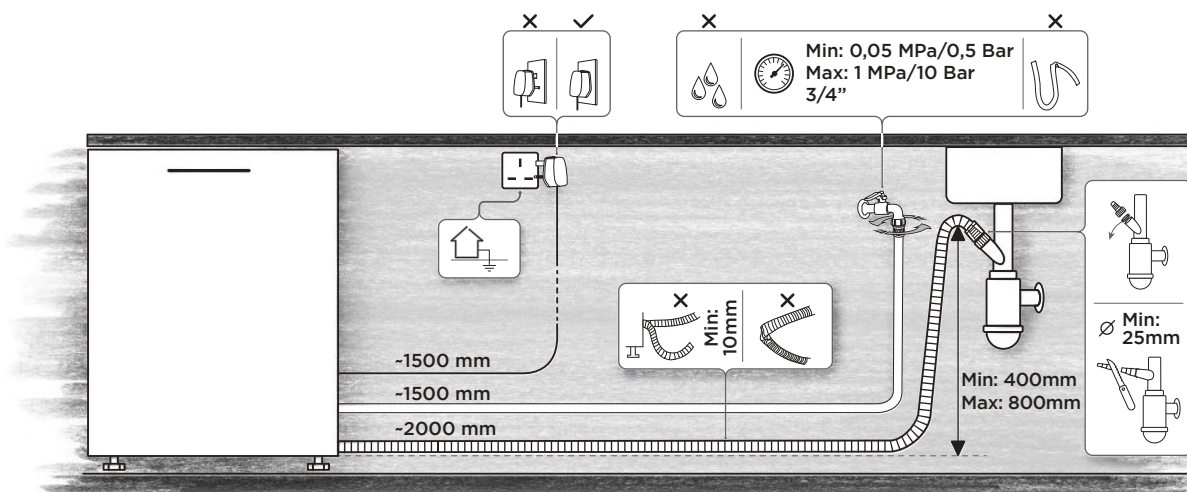
	ELECTRICAL INSTALLATION GUIDE	
	Designed by	CROSSCRAFT TECHNICAL OFFICE
	Version	06.2023

OVEN & MICROWAVE



Refer to product specification sheet for cabinetry cut-outs.

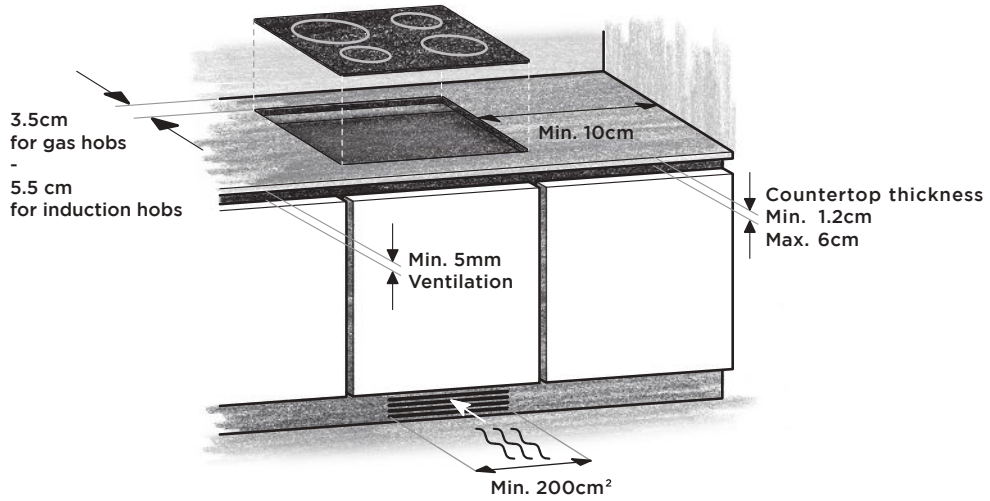
DISHWASHER



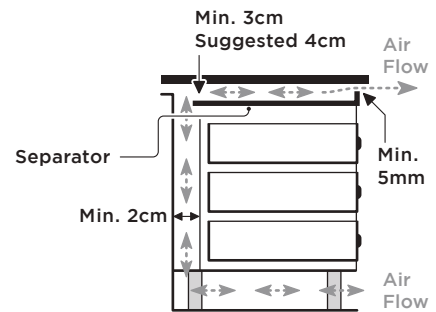
Refer to product specification sheet for cabinetry cut-outs.
No connection behind the dishwasher supply 3/4 inch water tap.

HOBS

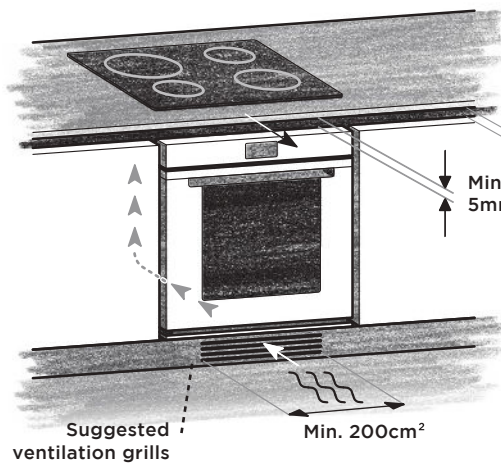
1
Ventilation
Hob above
drawers/
cabinets



2
Separator
panel
installation



3
Ventilation
Hob directly
above oven.
No separator.



Wood to support
⚠️ 90°C

A separator/insulation panel needs to be installed between base of induction hob and storage space underneath hob respecting dimensions in diagram 1. No panel is to be installed if oven is installed under hob as in diagram 3.

Do not install Hob directly above any other appliance apart from oven.

Gas supply must be available through a copper pipe with rubber pipe endings using a good quality gas regulator.

Electrical socket must be available to connect spark system of hob.

Refer to product data sheets for cut-out of cabinetry.



DRYER & WASHING MACHINE

Washing machines and dryers should be only installed indoors, in rooms with adequate ventilation. These may be stacked on top of each other with a stacking kit available at Crosscraft.

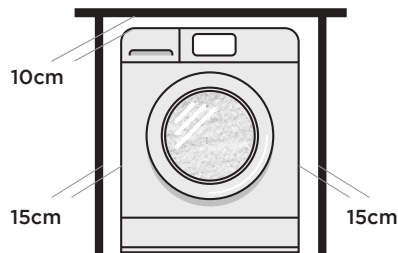
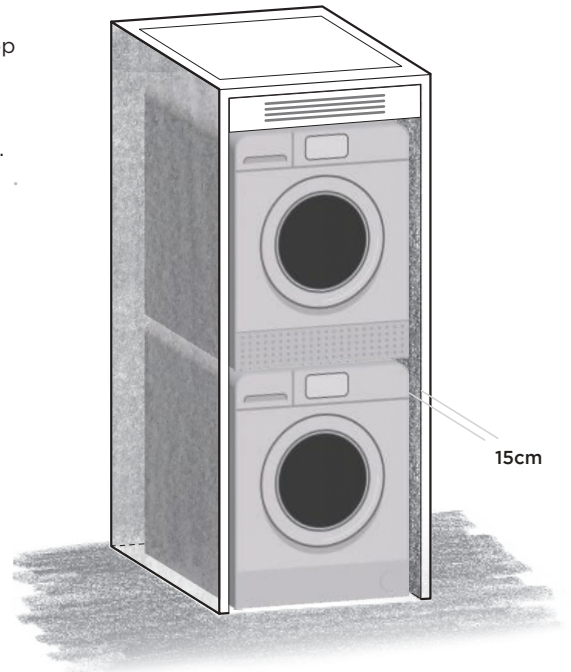
Door ventilation grid or grill should be 500cm squared or larger.

Washing Machine minimum operating temperature is 5C and the maximum is 35C.

Dryer minimum operating temperature is 14°C and the maximum is 30°C.

Always refer to manual.

Example design.

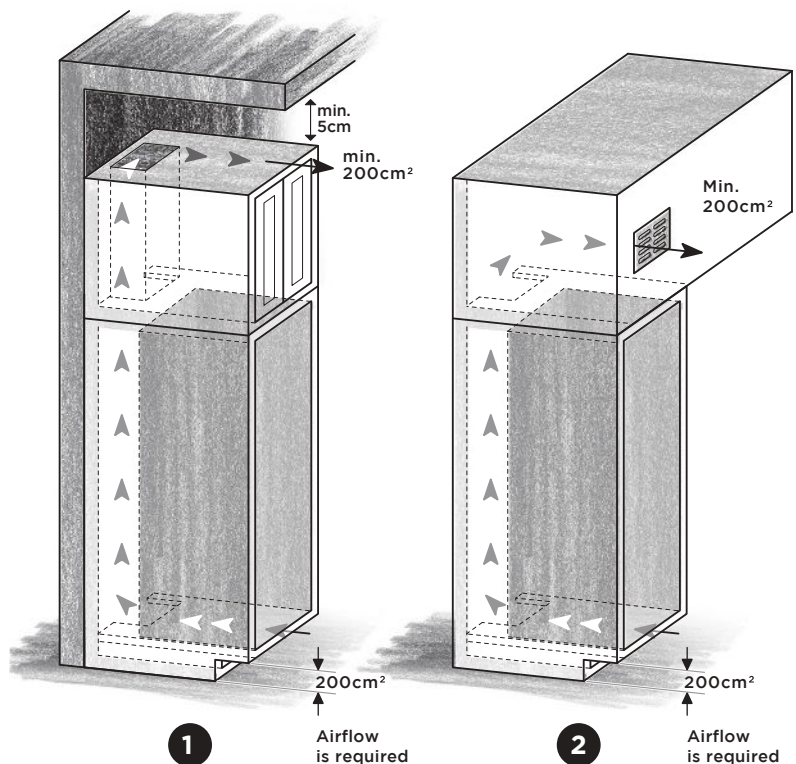
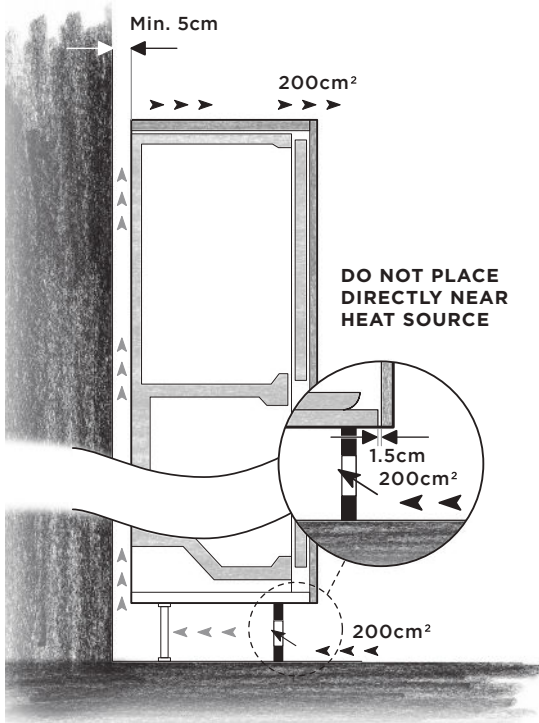


REFRIGERATION

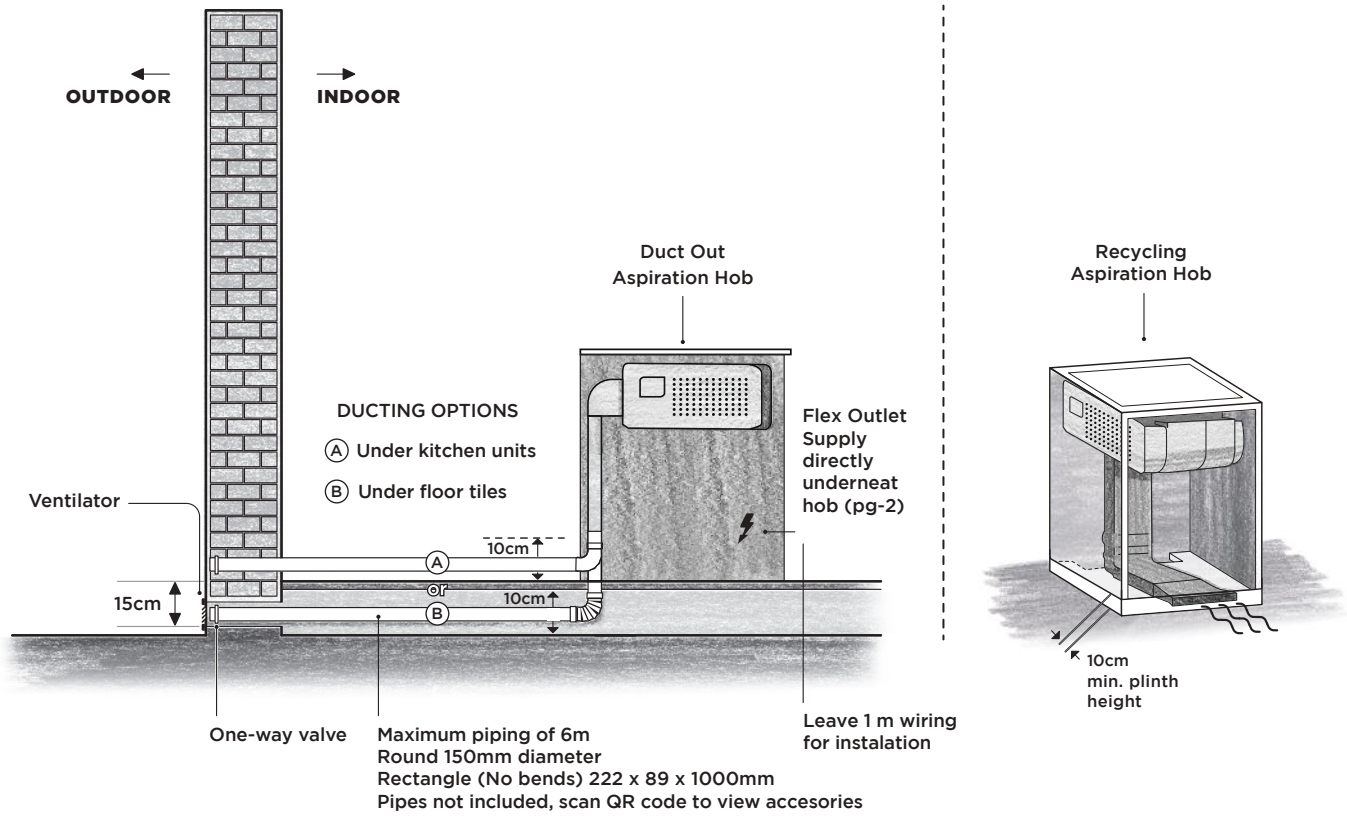
Refer to ventilation diagrams.

Refer to product specification sheet for cabinetry cut-outs.

It is recommended that electrical socket is to be placed on either side of appliance not more than 1 meter away ideally through a 2-pole switch.

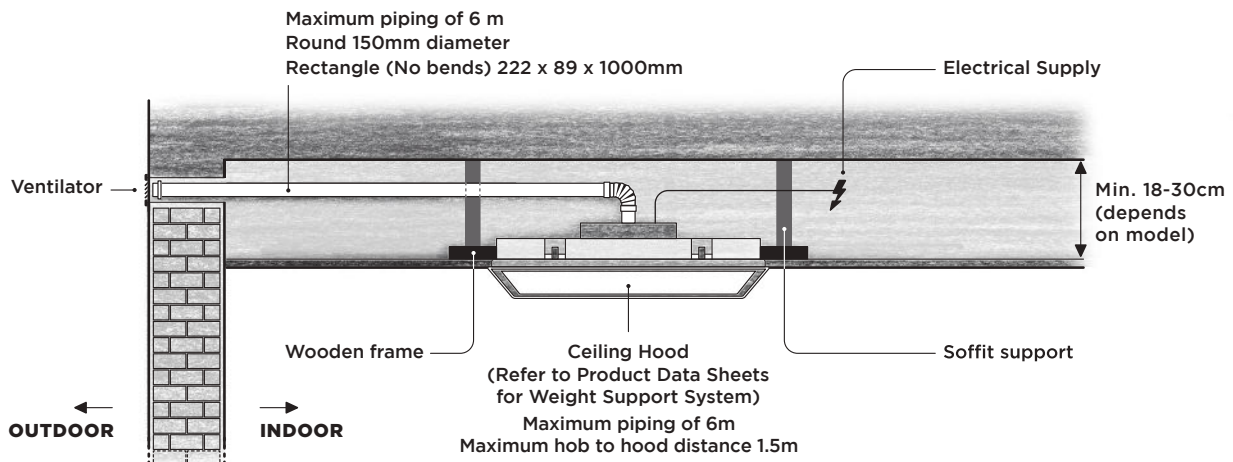


ASPIRATION HOB



Refer to product specification sheet for cabinetry cut-outs.

CEILING HOODS



All models and specifications available on the Elica Catalogue



PREPARING FOR YOUR DELIVERY & INSTALLATION



ORGANIZING DELIVERY

📞 (+356) 21 805 805

✉️ logistics@crosscraft.com.mt

Ideally appliances are delivered prior to the delivery of the Kitchen furniture.

Contact Logistical Department not less than 15 days before desired delivery date so we can try our best to accommodate delivery date.

Make sure that appliances will be stored in an ideal location with adequate levels of humidity which will not damage the appliance's aesthetic and operational condition.

Indicate if a Lifter is necessary for the delivery to take place, this can be organized at an extra charge through a third-party lifting service.

Upon Delivery you will be given a twenty-four-hour time frame to check all appliances and report any damages or missing items and/or accessories.

Warranty of Products Delivered will commence automatically 3 months after Delivery Date.



PLANNING THE INSTALLATION

📞 (+356) 21 805 805

✉️ installations@crosscraft.com.mt

Contact Installation Department 2 weeks prior to desired installation date to set an appointment.

We will try our best to accommodate your preferred installation date. However, this is subject to availability.

We will send an installation confirmation document so you can verify that all preparations are completed prior to installation.

Should the existing electrical and/or gas connections are not found to be in line with the requirements provided, another appointment would need to be scheduled after necessary amendments are completed. This will result in a charge for every extra visit.

Kitchen Top is to be installed before Hob can be commissioned in place.

Hoods are to be installed by a Professional Hood Installer after which commissioning will be done afterwards by our installation team.

Appliances will be tested on site to make sure that each appliance is functioning correctly.

The user will be instructed on how to operate the appliances on site with a demonstration from the appliance's installer.

Sinks/Mixer & RO not installed by Crosscraft.

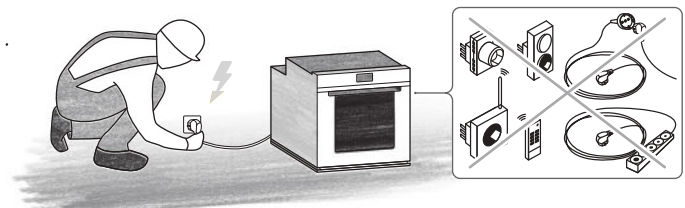
CAUTION

Appliances are not intended to be operated by means of an external switching device, such as a timer, or separate remote-controlled system.

Do not use extension leads, multiple sockets or adapters.

China connectors are not allowed.

It must be possible to disconnect the appliance from the power supply by unplugging it if plug is accessible, or by a multi-pole switch installed upstream of the socket and the appliance must be earthed in conformity with national electrical safety standards.





MY NOTES

